

TECHNICAL SPECIFICATIONS

TOF-3260 AFR

MODEL NUMBER 142015

DIMENSIONS: 59 3/4" x 32" x 21 1/2" Gelcoat



STANDARD FEATURES

- 3" wrap around backsplash
- Integrated apron and tiling flange
- 3 3/8 in. Above-the-Floor Rough
- 14 3/8 in. deep sump
- Bottom bathing well : 44 1/8" L x 21 5/8" W
- Textured floor
- Right or left drain
- Alcove installation

UNIQUE FEATURES

- Above-the-Floor Rough (AFR)
- Tiling Flange

OPTIONS

- Pump position opposite standard position
- In-line heater (factory-installed)
- Tile Adaptor (for door installation)

SYSTEMS

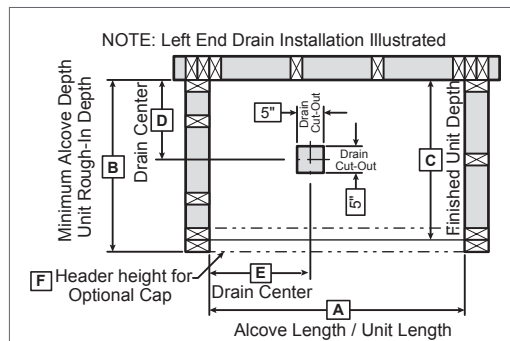
Homestead **DOOR**

SELECTION

Combine with AKER's complete shower door offering visit www.akerbymax.com

CERTIFICATIONS

AKER products adhere to one or more of the following certifications:



Model	A	B	C	D	E
142014	60"	33"	32"	14 3/4"	8 1/4"

Project :

Contractor :

AKER Representative : Tel :

Date :

