

Location:



# Lavatory Faucet SLS-5510, SLS-5512 Specification Submittal



## Model Numbers

- SLS-5512 Lavatory Faucet with pop-up drain assembly
- SLS-5510 Lavatory Faucet only

## Options / Modifications

Append appropriate -suffix to model number

- CG** -0.5-NA 0.5 gpm (1.9 L/min) non-aerated laminar flow outlet
- CG** -1.0 1.0 gpm (3.8 L/min) flow rate restrictor
- Delete Suffix 1.5 2.2 gpm (8.3 L/min) flow rate restrictor
- DP4 4 inch deck plate

## Finish Options / Modifications

Append appropriate -suffix to model number

- STN Satin Nickel
- SBZ Seasoned Bronze

## Feature Highlights

- Single post round lavatory faucet with swivel lever handle
- Single hole deck mounting and optional 4 inch deck plate
- Commercial grade 1/4 turn ceramic disc valve cartridge for drip free performance
- Pop-up drain and lift rod assembly (SLS-5512 only)
- 3/8 inch copper supply lines with 1/2 inch IPS fittings
- Aerator with standard 2.2 gpm flow rate (8.3 L/min)  
*Optional aerator available in lower flow rates*
- Metal construction
- Polished chrome finish (standard)

## Standards / Certifications

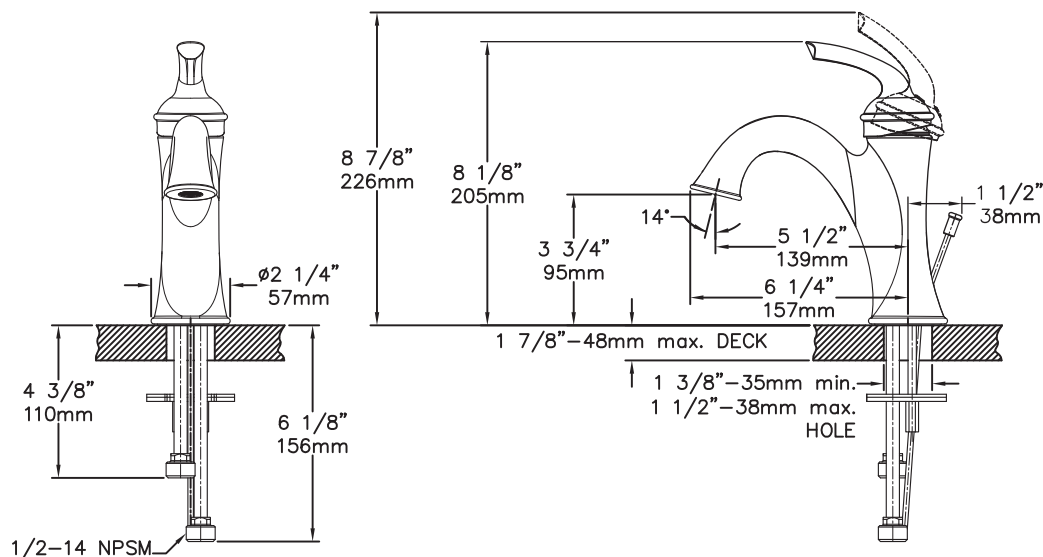
- ASME A112.18.1/CSA B125.1
- NSF/ANSI 61.9, NSF/ANSI 372
- WaterSense 1.0 and 1.5 gpm only



## Warranty

- Limited Lifetime - to the original end purchaser in consumer installations
- 5 years - for commercial installations

## Dimensions Elm Single Handle Lavatory Faucet, SLS-5512 Faucet with copper supply tubes



**Dimensions** Elm Single Handle Lavatory Faucet, SLS-5510  
*Faucet with copper supply tubes*

