

# TECHNICAL SPECIFICATIONS

## TO-3260 - Job pack of 12 bathtubs

MODEL NUMBER 141357

DIMENSIONS: 60" x 32" x 16" Gelcoat



### STANDARD FEATURES

- Job pack of 12 bathtubs
- Meets FHA accessibility requirements
- Integrated tiling flange
- Textured floor
- Right or left drain
- Alcove installation
- 14 1/4" deep sump
- Bottom bathing well: 45" L x 19 1/4" W

### UNIQUE FEATURES

- Tiling Flange

### OPTIONS

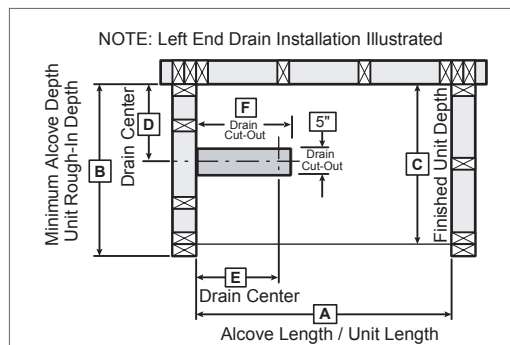
- None

### SYSTEMS

- None

### DOOR SELECTION

Combine with AKER's complete shower door offering visit [www.akerbymax.com](http://www.akerbymax.com)



Model	A	B	C	D	E	F
141350	60	33	32	15	8	10 1/2

Project : .....

Contractor : .....

AKER Representative : ..... Tel : .....

Date : .....

### CERTIFICATIONS

AKER products adhere to one or more of the following certifications:

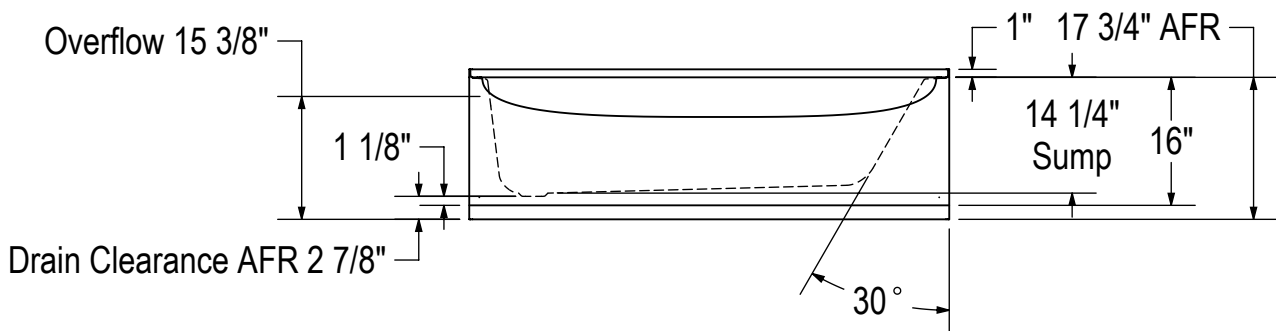
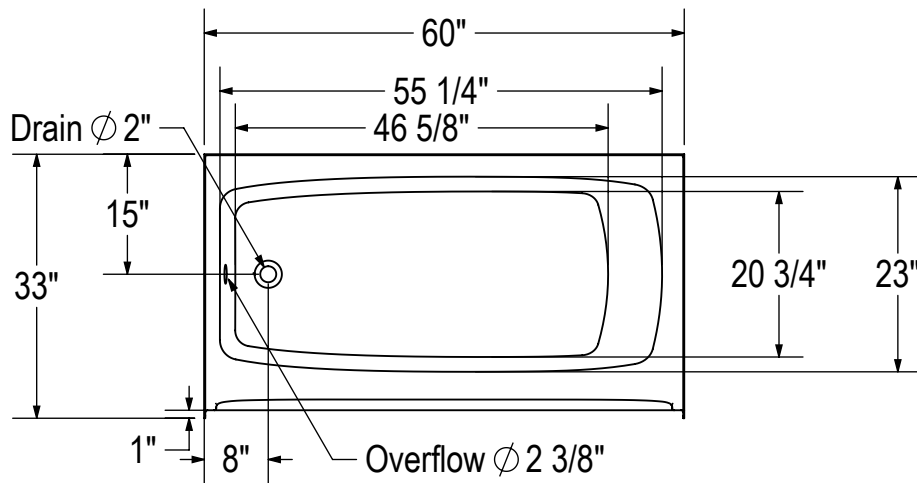


# TECHNICAL SPECIFICATIONS

## TO-3260 - Job pack of 12 bathtubs

MODEL NUMBER 141357

### TECHNICAL DRAWINGS



All dimensions are approximate. Structure measurements must be verified against the unit to ensure proper fit.