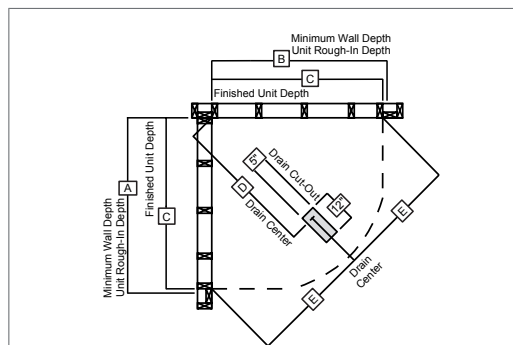
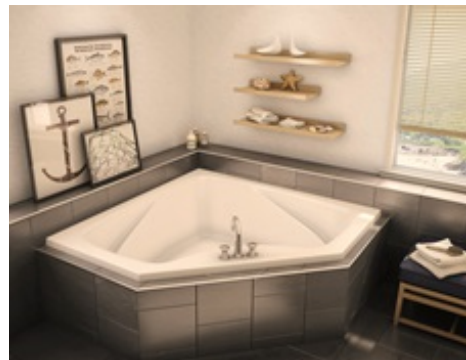


# TECHNICAL SPECIFICATIONS

## CTF2-6060

**MODEL NUMBER 141097**

DIMENSIONS: 59" x 59" x 21 1/2" Gelcoat



Model	A	B	C	D	E
141097	60 1/2"	60 1/2"	59"	45 1/4"	41 1/2"

### STANDARD FEATURES

- Spacious bathing well
- Drop-in installation
- 2 Backrests with lumbar support
- Integrated tiling flange
- 19 3/4 inch deep sump
- Bottom bathing well: 57 inch L x 40 inch W
- Armrests
- Deck for faucet
- Textured floor
- Center drain

### UNIQUE FEATURES

- Tiling Flange

### OPTIONS

- In-line heater (factory-installed)
- Pump position opposite standard position
- Ozonator for whirlpool system
- Trim Kit for Bodywrap Whirlpool System

### SYSTEMS

- Homestead Bodywrap

### DOOR SELECTION

Combine with AKER's complete shower door offering visit [www.akerbymax.com](http://www.akerbymax.com)

### CERTIFICATIONS

AKER products adhere to one or more of the following certifications:



Project : .....

Contractor : .....

AKER Representative : ..... Tel : .....

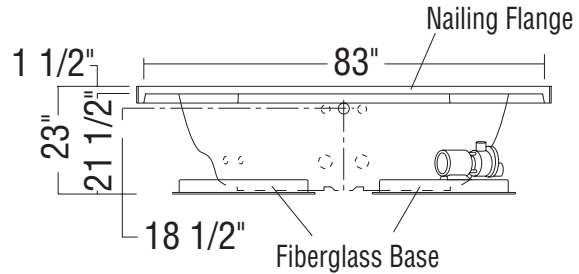
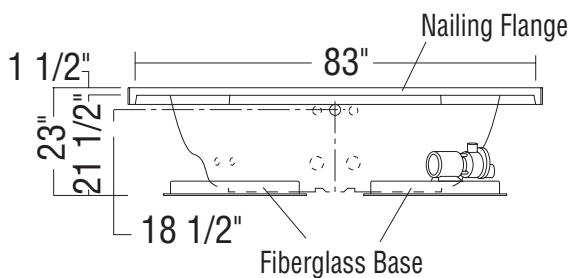
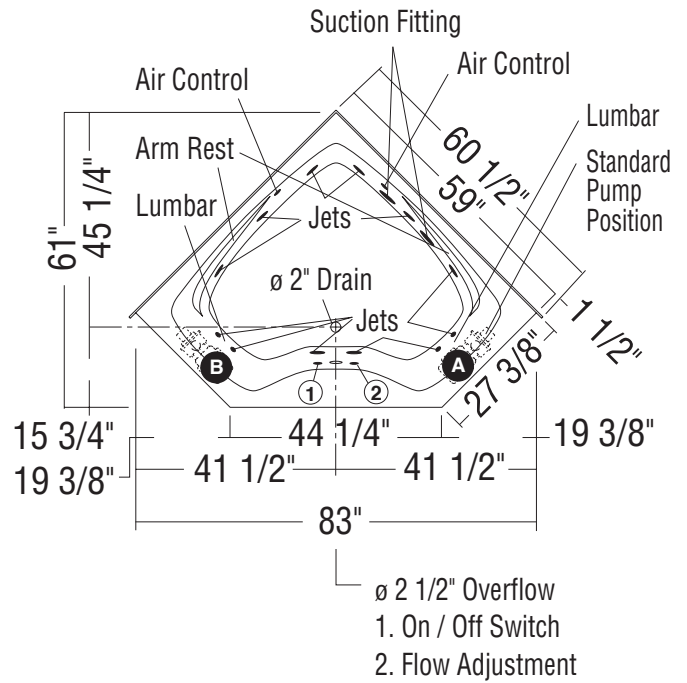
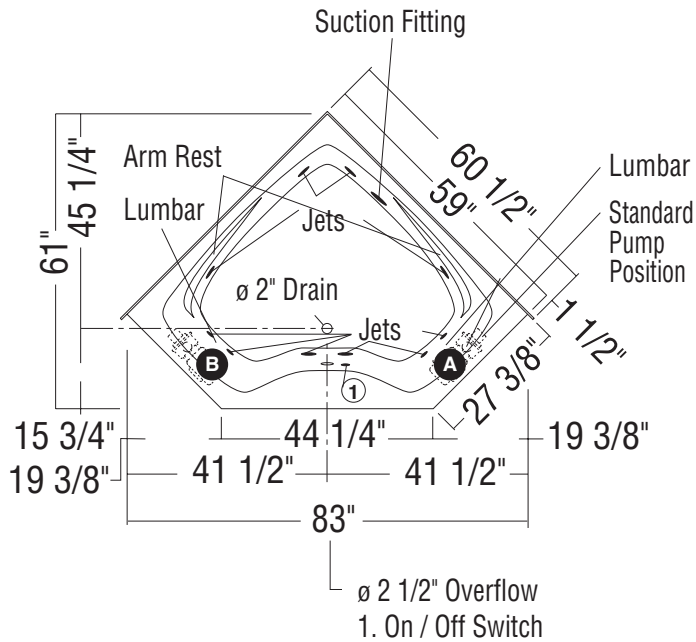
Date : .....

# TECHNICAL SPECIFICATIONS

## CTF2-6060

MODEL NUMBER 141097

### TECHNICAL DRAWINGS



10-jet Homestead Collection CTF2-6060  
HMS (illustrated)

12-jet Bodywrap System CTF2-6060  
BWS (illustrated)