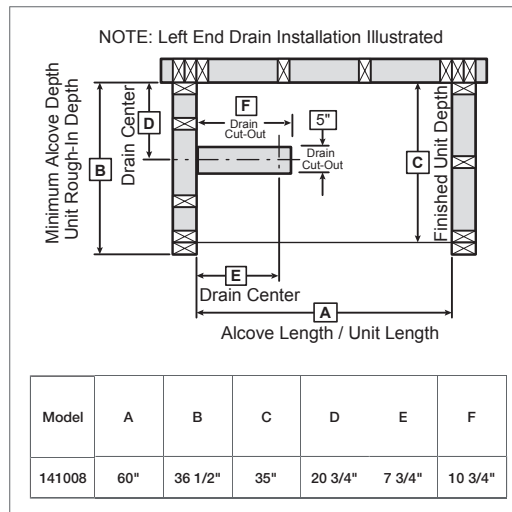


# TECHNICAL SPECIFICATIONS

## GTWT-4260

**MODEL NUMBER 141008**

DIMENSIONS: 60" x 35" x 71" Gelcoat



### STANDARD FEATURES

- One-piece gelcoated fiberglass tub-shower with 6 in. simulated tile pattern
- Textured floor
- 16 inch deep sump
- Right, left-hand or back center drain (center drain model shown)
- Bottom bathing well: 42 1/2 inch L x 28 3/4 inch W (CTR) 47 1/2 inch x 27 inch (L & R)
- Optional unique feature: Above-the-floor rough

### UNIQUE FEATURES

- Above-the-Floor Rough (AFR)

### OPTIONS

- In-line heater (factory-installed)
- Pump position opposite standard position

### SYSTEMS

Homestead **DOOR**

### SELECTION

Combine with AKER's complete shower door offering visit [www.akerbymax.com](http://www.akerbymax.com)

### CERTIFICATIONS

AKER products adhere to one or more of the following certifications:



Project : .....

Contractor : .....

AKER Representative : ..... Tel : .....

Date : .....

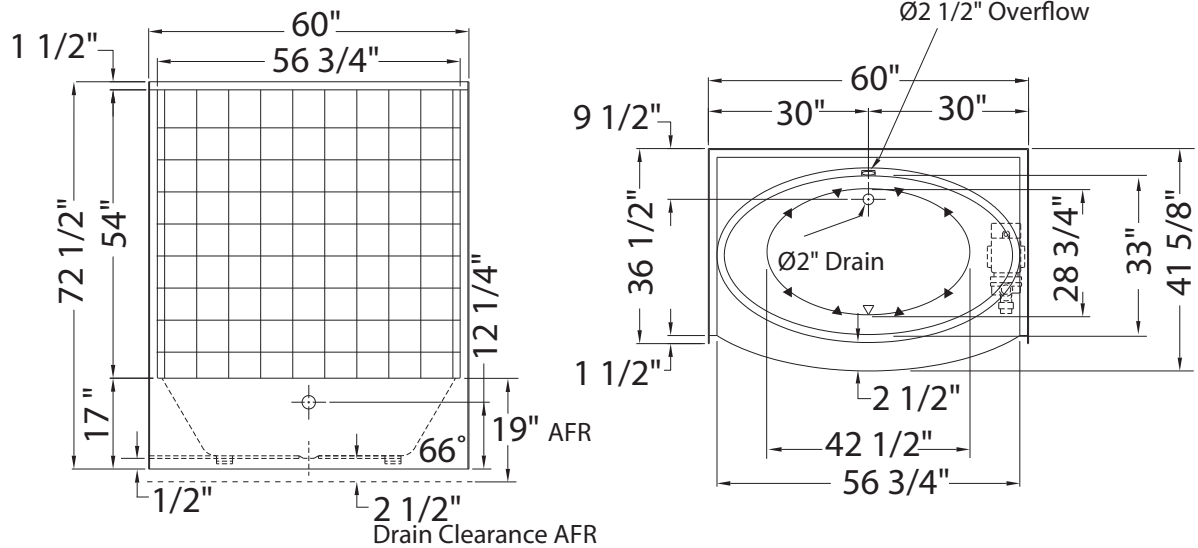
# TECHNICAL SPECIFICATIONS

## GTWT-4260

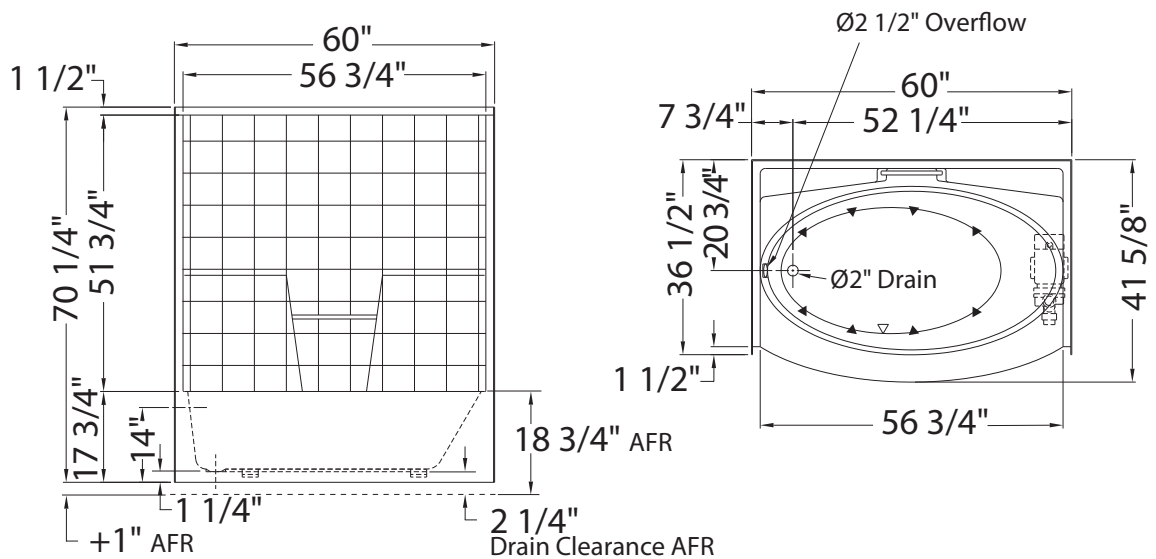
MODEL NUMBER 141008

### TECHNICAL DRAWINGS

GTWT-4260 Center drain model



GTWT-4260 Left and right hand drain model



All dimensions are approximate. Structure measurements must be verified against the unit to ensure proper fit.