

**CODE NUMBER**

3451658

**DESCRIPTION**

1.28 gpf, Rough Brass Finish, Single Flush, 2-10.75 L Dimension, Electrical Override, Hardwired, Sensor-Operated, Small Wall Box, Royal® Concealed Sensor Hardwired Water Closet Flushometer.

**DETAILS**

- Flush Volume: 1.28 gpf (4.8 Lpf)
- Finish: Rough Brass (RB)
- Power Type: Hardwired (HW)
- Valve: Diaphragm
- Valve Body Material: Semi-red Brass
- Fixture Type: Water Closet
- Fixture Connection: Rear spud
- Rough-In Dimension: 24" (610mm)
- Spud Coupling: 1 1/2" (38mm)
- Supply Pipe: 1" (25mm)
- L Dimension: 2" - 10 3/4" (51-273mm) (2-10-3/4-LDIM)
- Override: Electrical (OR)
- Wall Box: Small (SWB)

**FEATURES**

- PERMEX® Synthetic Rubber Diaphragm with Dual Filtered Fixed Bypass
- Handle Packing, Main Seat, Stop Seat and Vacuum Breaker Molded from PERMEX® Rubber Compound for Chloramine resistance
- User friendly three (3) second Flush Delay
- Fixed Metering Bypass and No External Volume Adjustment to Ensure Water Conservation
- OPTIMA® EL-1500 Self-Adaptive Infrared Sensor with Indicator Light
- 13 1/2" x 13 1/2" Wall Box with Stainless Steel Access Panel and Vandal Resistant Screws
- Courtesy Flush™ Override with waterproof stainless steel piezo-electric button
- Wall Box with Stainless Steel Access Panel and Vandal Resistant Screws
- High Back Pressure Vacuum Breaker Flush Connection and Spud Coupling for 1-1/2" Concealed Back Spud
- 1" I.P.S. Wheel Handle Bak-Chek® Angle Stop

**VIDEOS**

- ▶ [ESS Flushometer](#)



**COMPLIANCES & CERTIFICATIONS**



(ADA Compliant, BAA Compliant, BREEAM Water Credit, cUPC Certified, cUPC Green Certified, Green Globes Water Credit, LEED V4 Water Efficiency Credit, Satisfies LEED Credits, UL Certified, WaterSense Listed)

**RECOMMENDED SPECIFICATION**

Valve Body, Cover, Tailpiece and Control Stop shall be in conformance with ASTM Alloy Classification for Semi- Red Brass. Valve shall be in compliance with the applicable sections of ASSE 1037 and ANSI/ASME 112.19.2.

**ELECTRICAL SPECIFICATIONS**

- Arming Delay: 16 seconds
- Control Circuit: 24 VAC Input/24 VAC Output/Solid State
- Flush Delay: 3s
- Self-Adaptive Window: ±10
- Sensor Range: 22" - 42" (559-1,067mm)
- Solenoid Operator: 24 VAC
- Transformers:
  - 0345154
  - 0345999

**VALVE OPERATING PRESSURE (FLOWING)**

15-80 PSI (103-552 kPa). Specific fixtures may require greater minimum flowing pressure - consult manufacturer requirements.

**DOWNLOADS**

- [Royal/Sloan/Crown SWB ESS Installation Instructions](#)
- [Royal ESS Concealed and Exposed Installation Instructions](#)
- [Royal 152/195 ESS TMO Concealed Installation Instructions](#)
- [Optima Sensor Activated Royal/Sloan Concealed Installation Instructions](#)
- [Royal ESS Concealed with Wall Box Installation Instructions](#)

**Sloan 10500 Seymour Ave, Franklin Park, IL 60131**

Phone: 800.982.5839 • Fax: 800.447.8329 • [sloan.com](http://sloan.com)

- [Control Stop Repair and Maintenance Guide](#)
- [Flush Connections Flanges Repair and Maintenance Guide](#)
- [Tail Piece Repair and Maintenance Guide](#)
- [Optima ESS Repair and Maintenance Guide](#)
- [ESS TMO SWB Repair and Maintenance Guide](#)
- [Additional Downloads](#)

**NOTES**

All information contained within this document subject to change without notice.

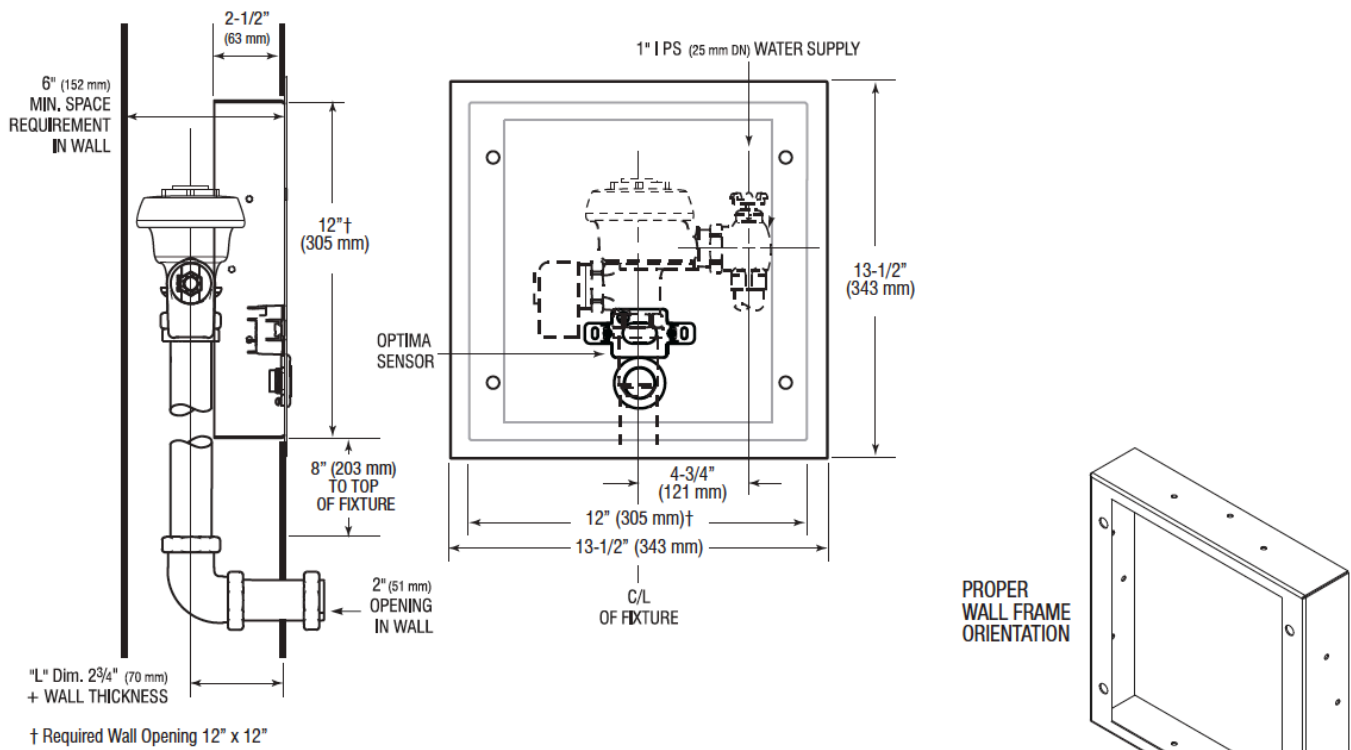
Looking for other variations of the ROYAL 152 ESS product? [View the general spec sheet with all options.](#)

[Find a compatible urinal](#) for this flushometer.

[Find a compatible water closet](#) for this flushometer.

Watersense compliant when used with a WaterSense compliant fixture

**ROUGH-IN**



Sloan 10500 Seymour Ave, Franklin Park, IL 60131

Phone: 800.982.5839 • Fax: 800.447.8329 • [sloan.com](http://sloan.com)