



SYMMONS[®] Carrington[™]

Kitchen Faucet S-2650-2, S-2650

Installation Brief



Model Numbers

S-2650-2..... Kitchen faucet with handspray and standard chrome finish

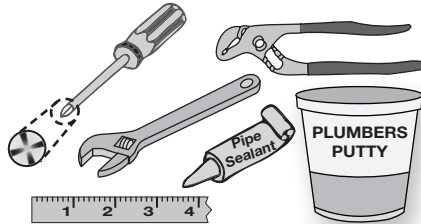
S-2650..... Kitchen faucet only with standard chrome finish

Decorative Finishes

Append finish suffix code to replacement part numbers when applicable

- STN Satin Nickel
- STS Stainless Steel

Tools & Materials



Need Help?

Contact Symmons customer service at (800) 796-6667, (781) 848-2250

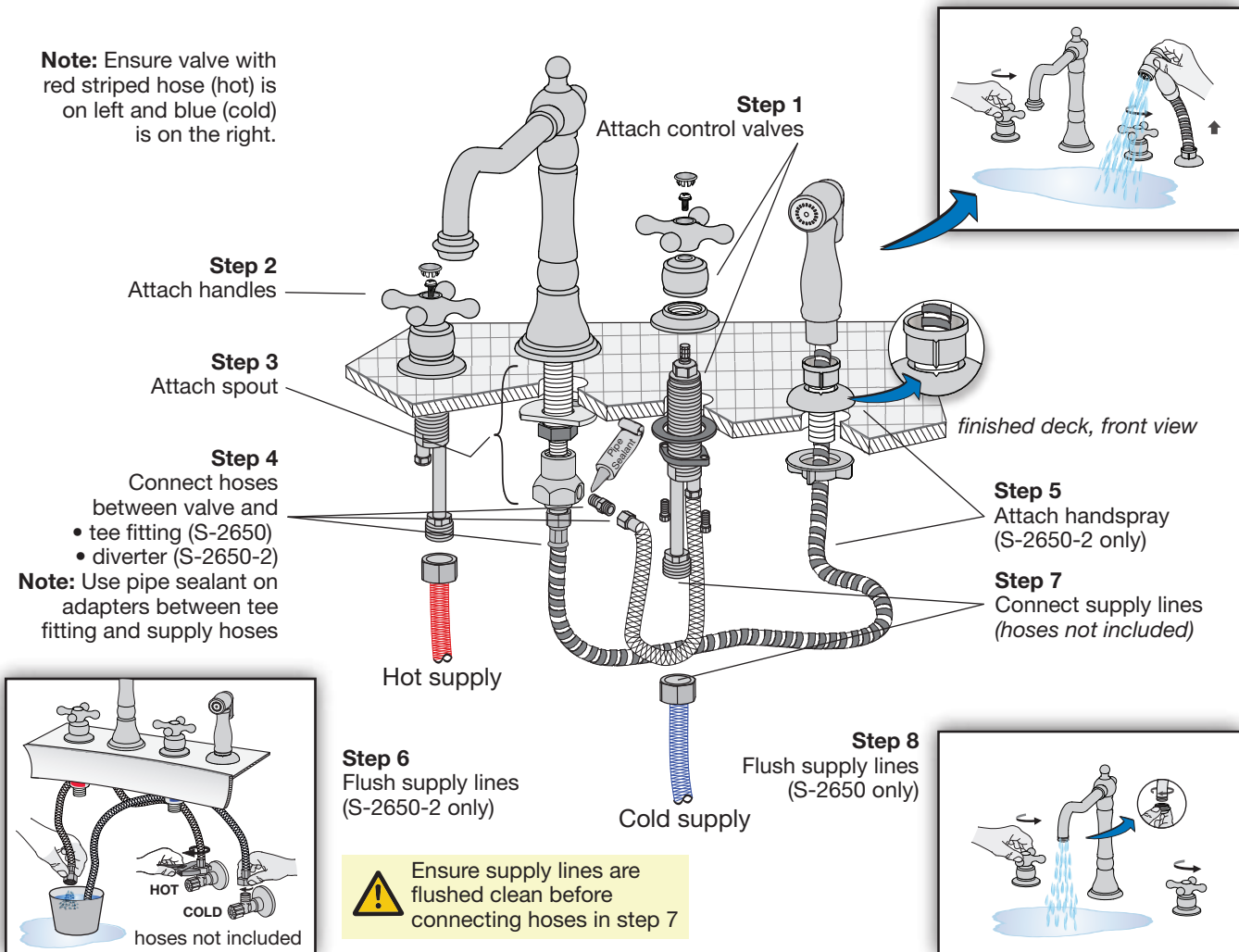
Email: customerservice@symmons.com
Monday - Friday 8:00 am - 7:00 pm EST

Please check Symmons website for technical help, the latest product information and warranty policy.

www.symmons.com/service

Quick Install Guide Carrington Kitchen Faucet, S-2650-2

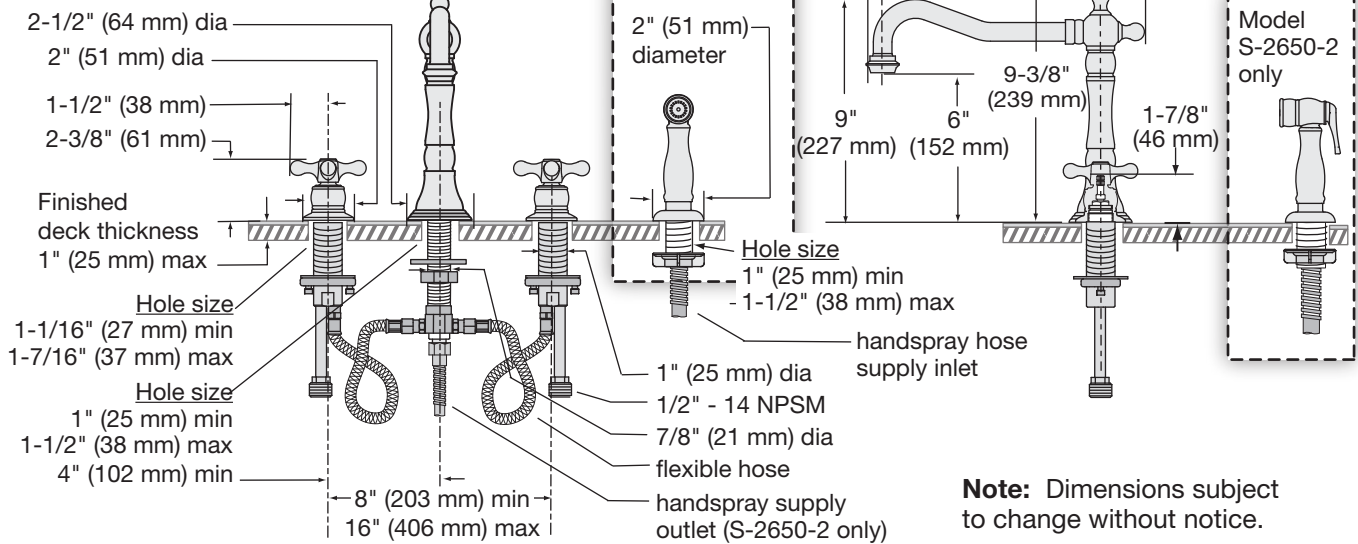
Note: Ensure valve with red striped hose (hot) is on left and blue (cold) is on the right.



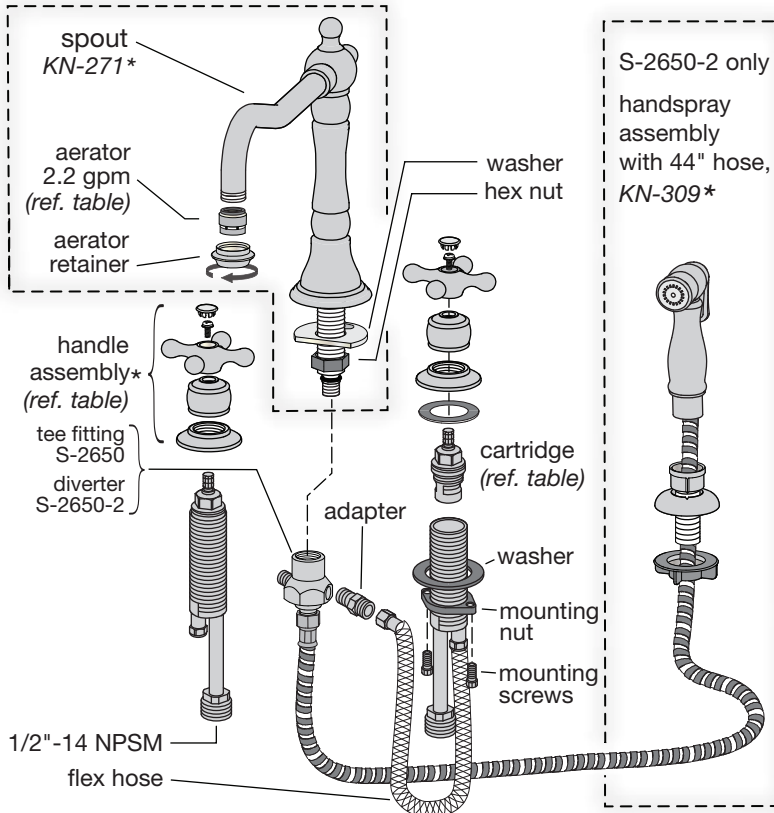
Dimensions Carrington Kitchen Faucet, S-2650-2, S-2650

Model

S-2650-2 Faucet with handspray
 S-2650..... Faucet only



Parts Assembly Carrington Kitchen Faucet, S-2650-2, S-2650



Replacement Parts	
Part Number	Item
WSF-CRP-KIT*	Handle Kit plug buttons screw handle collar escutcheon gasket
KN-114 (hot) OFF = CW	valve cartridge
KN-113 (cold) OFF = CCW	
FLR-128-2.2-1 FLR-101-1.5-1	aerator flow rates 2.2 gpm (8.3L/min) 1.5 gpm (5.7L/min)
LN-157	12 inch hose assembly

Ordering replacement parts:

Call Symmons customer service at (800) 796-6667, M-F 8:00 am - 7:00 pm EST or check our website at symmons.com for a list of Symmons distributors.

Note: For decorative finish faucets add three letter finish suffix code to parts marked with an asterisk*